

McCain Walls® Single Door Left-Hand Inswing

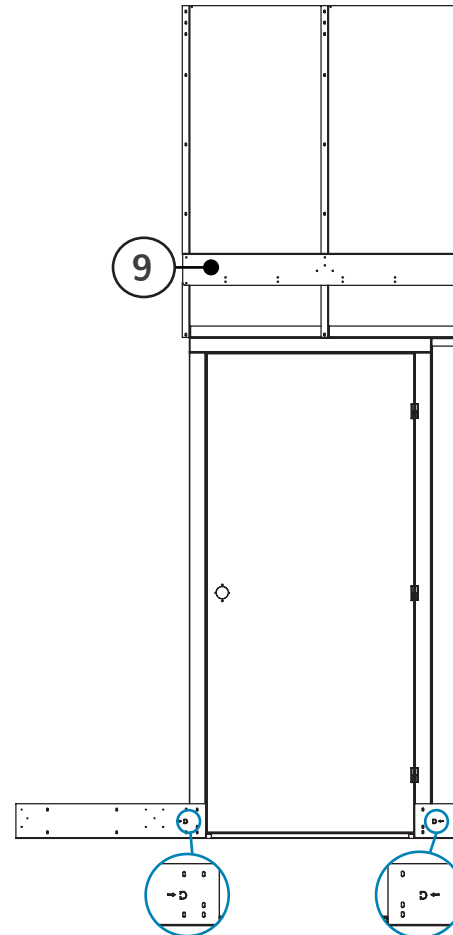
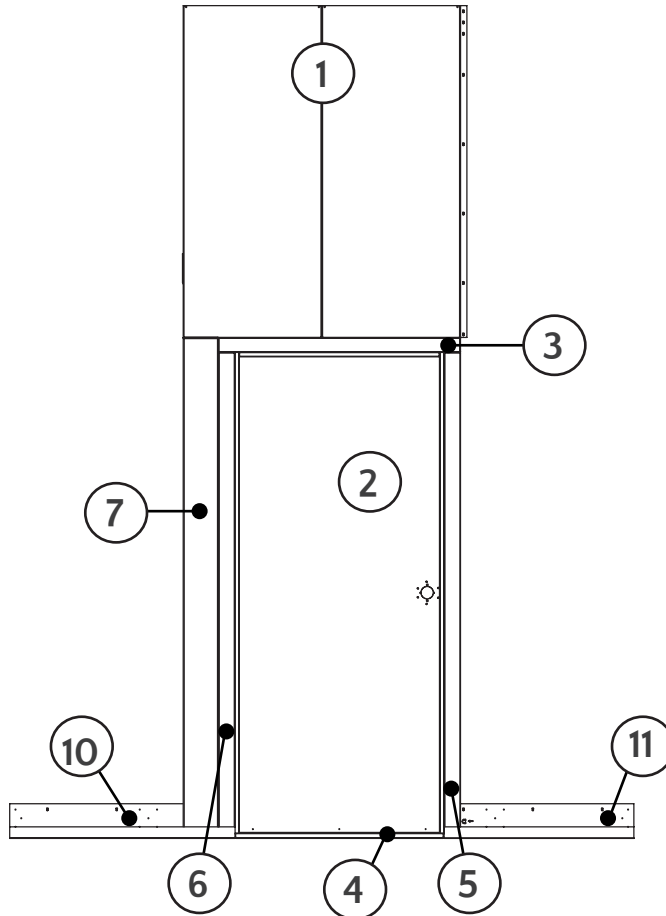
Multiple Views Product Diagram



Front View

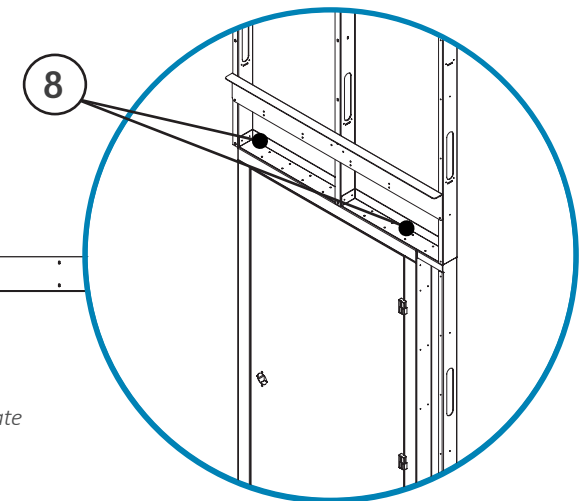
Side View

Back View



COMPONENT LIST

1. Center Door Panels
2. Single Door Left Hand
3. Single Door Header
4. Single Door Threshold
5. Left Door Jamb (LH)
6. Right Door Jamb
7. Left Support Door Frame Panel
8. Door Filler Bracket 3
9. Single Door Panel Bracket Stiffener
10. Left Single Door Bottom Rail
11. Right Single Door Bottom Rail



Back Angled View

*The etched arrow and D on the bottom rails indicate direction in which the door will be placed.

Contact Us

For a quote, to place an order, or learn more give us a call at (760) 295-9230 or visit www.mccainwalls.com

*Dimensions are rounded to the nearest inch.

2633 PROGRESS STREET | VISTA, CALIFORNIA 92081 | USA | WWW.MCCAINWALLS.COM

© 2018 McCain Manufacturing, Inc. Updated 03/16/18. McCain Manufacturing reserves the right to change product specifications without notice. For the most up-to-date information, please contact us. Patent Pending.

