

McCain Walls® Top Trim Caps

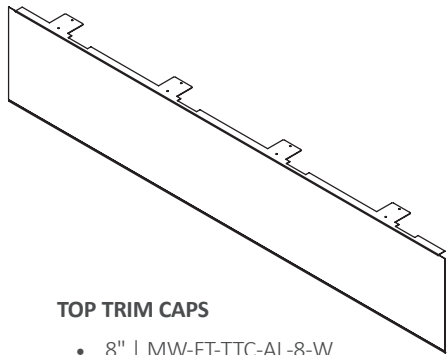
Product Diagram



Top Trim Caps are designed to fill the irregular gaps between the top of a McCain Walls® system and an existing ceiling, creating a seamless finish.

Two top trim caps styles are available. The Top Trim Caps (TTC) attach to the ceiling and the face of the temporary walls system. They come in 8", 18" and 30" heights.

The Adjustable Top Trim Caps (TTCA) attach to the back of the walls system instead of the face and ceiling. Once the brackets are installed, the trim cap can be adjusted to the ceiling height.



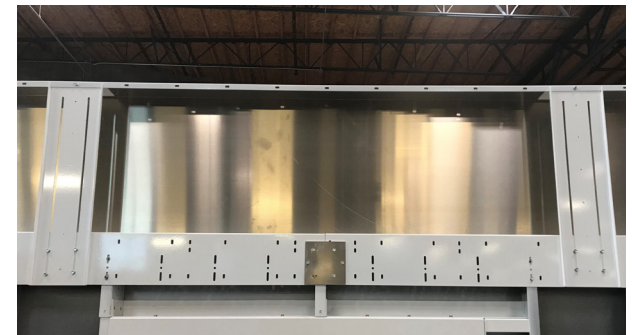
TOP TRIM CAPS

- 8" | MW-FT-TTC-AL-8-W
- 18" | MW-FT-TTC-AL-18-W
- 30" | MW-FT-TTC-AL-30-W



ADJUSTABLE TOP TRIM CAPS

- 18" | MW-FT-TTCA-AL-18-W
(Adjustable Height)



Contact Us

For a quote, to place an order, or learn more give us a call at (760) 295-9230 or visit www.mccainwalls.com

*Dimensions are rounded to the nearest inch.

2633 PROGRESS STREET | VISTA, CALIFORNIA 92081 | USA | WWW.MCCAINWALLS.COM

© 2018 McCain Manufacturing, Inc. Updated 01/16/19. McCain Manufacturing reserves the right to change product specifications without notice. For the most up-to-date information, please contact us. Patent Pending.