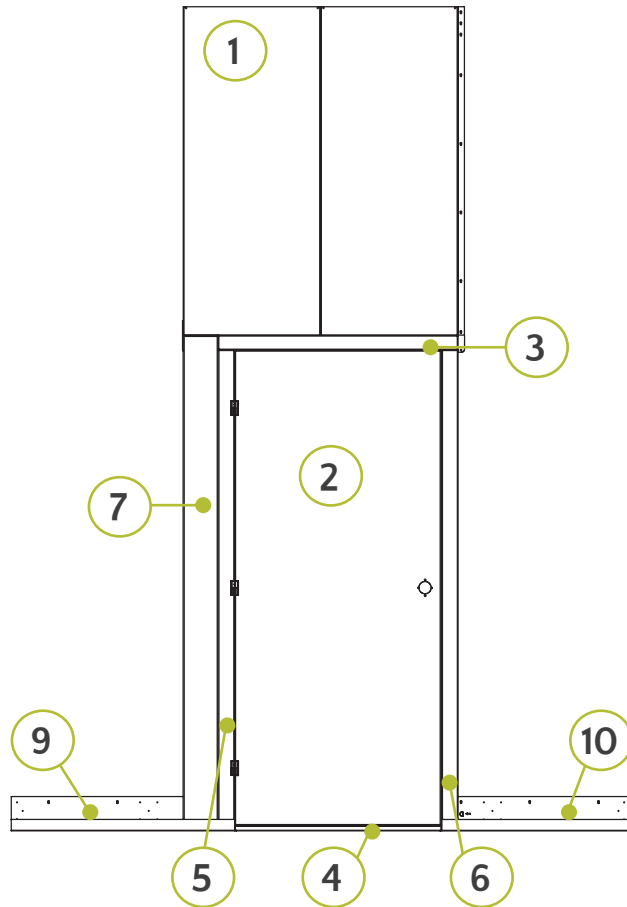


McCain Walls™ Single Door Right-Hand Outswing

Multiple Views Product Diagram



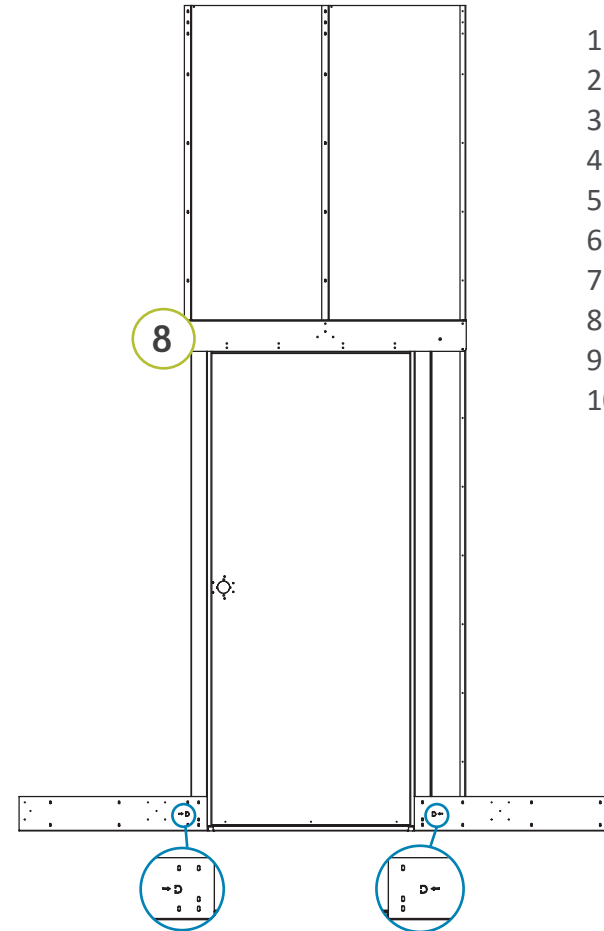
Front View



Side View



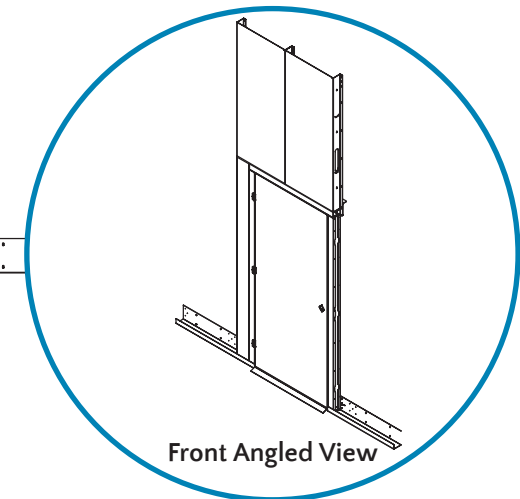
Back View



*The etched arrow and D on the bottom rails indicate direction in which the door will be placed.

COMPONENT LIST

1. Center Door Panel
2. Single Door Right Hand
3. Single Door Top Door Frame Panel
4. Single Door Threshold
5. Left Door Frame Panel
6. Right Door Frame Panel (RH)
7. Left Support Door Frame Panel
8. Single Door Panel Bracket
9. Left Single Door Bottom Rail
10. Right Single Door Bottom Rail



Front Angled View

Contact Us

For a quote, to place an order, or learn more give us a call at (760) 295-9230 or visit www.mccainwalls.com

*Dimensions are rounded to the nearest inch. Patent Pending.

2633 PROGRESS STREET | VISTA, CALIFORNIA 92081 | USA | WWW.MCCAINWALLS.COM

© 2017 McCain Manufacturing, Inc. Updated 10/24/17. McCain Manufacturing reserves the right to change product specifications without notice. For the most up-to-date information, please contact McCain Manufacturing.