



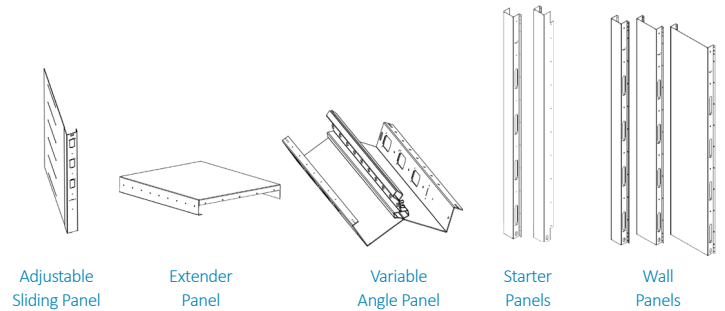
McCain Walls™ Color-Coded System

McCain Walls™ color-coded label system is designed to help installers clearly identify system components during the installation process. All *McCain Walls* components are assigned a distinct colored label based on the categories listed below.

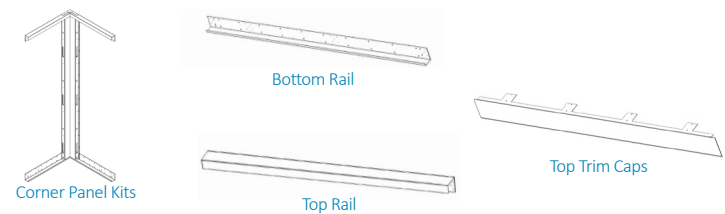
To speed the installation process, it is recommended that all parts be sorted by color. Before starting, the color-coded label system and installation guides should be reviewed.

+ *Please note:* Based on project specifications, some parts may not be included in *McCain Walls* system kits. For technical questions, give us a call at 760.295.9230 or visit www.mccainwalls.com.

CATEGORY	ASSIGNED COLOR	LABEL SIZE
PANELS		
Adjustable Sliding Panels	Light Tan	3" x 2"
Extender Panels	True Grey	3" x 2"
Starter Panels	Flourescent Green	3" x 2"
Wall Panels	Flourescent Pink	3" x 2"
Variable Angle Panels	True Blue	3" x 2"



CORNERS, RAILS, AND TRIM CAPS		
Corner Panel Kits	Flourescent Red	3" x 2"
Bottom Rails	Pastel Green	3" x 1"
Top Rails	True Yellow	3" x 2"
Trim Caps	True Yellow	3" x 2"



FASTENERS AND MOUNTS		
Fasteners	Pastel Yellow	3" x 1"
Mounts	Pastel Blue	3" x 1"



DOOR KITS AND INTERIOR FINISHES		
Single Door Kits	Flourescent Orange	3" x 2"
Double Door Kits	Flourescent Yellow	3" x 2"
Interior Finishes	Pastel Pink	3" x 1"

